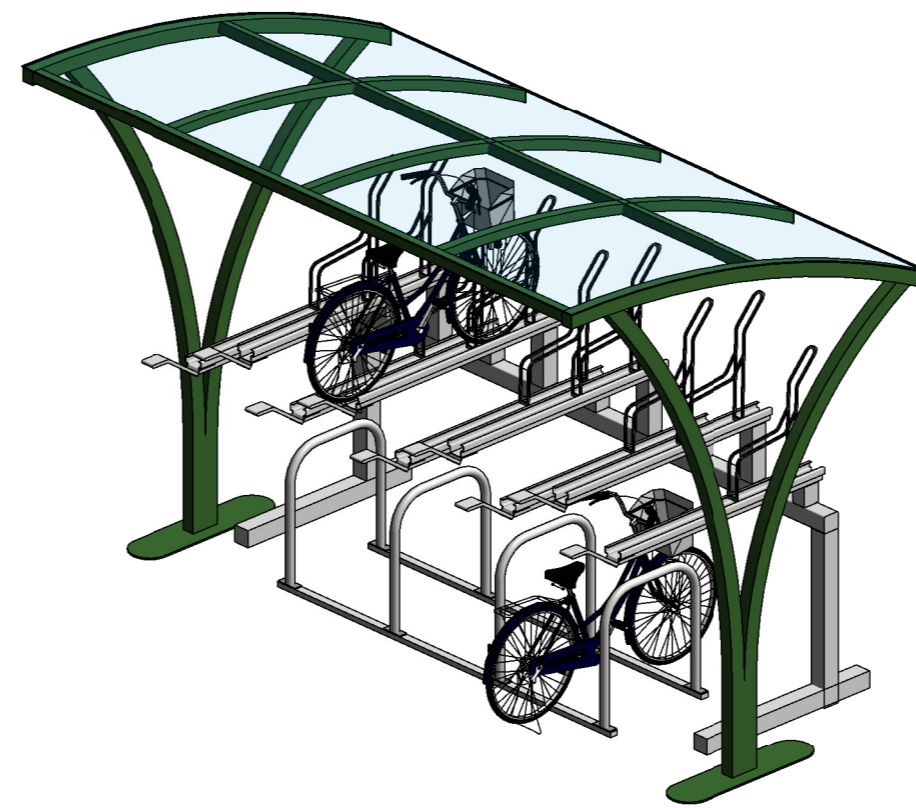
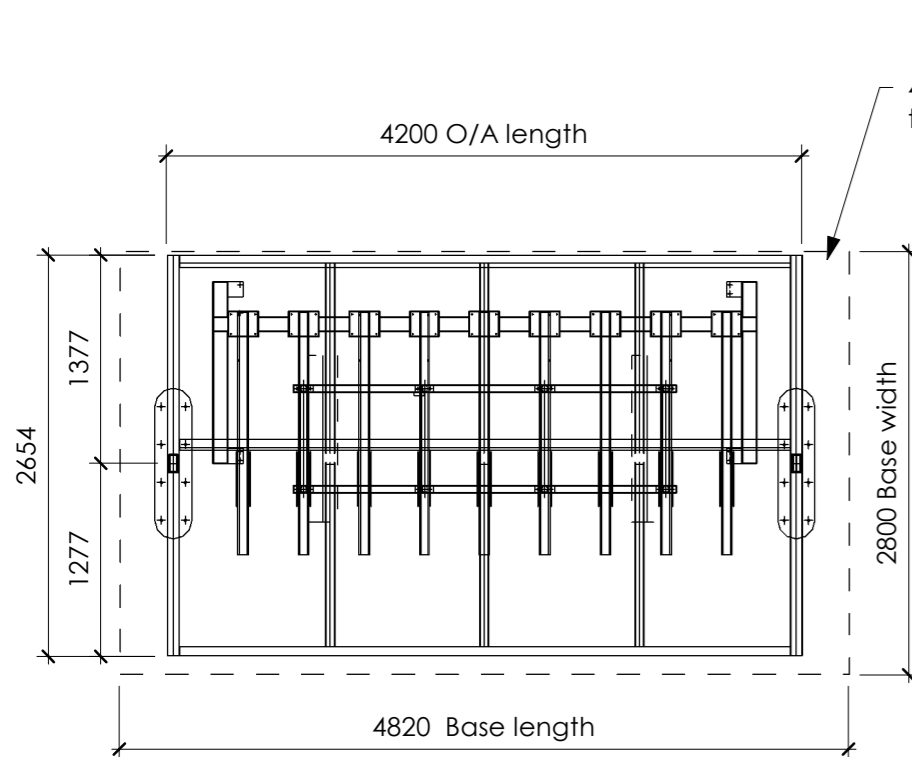


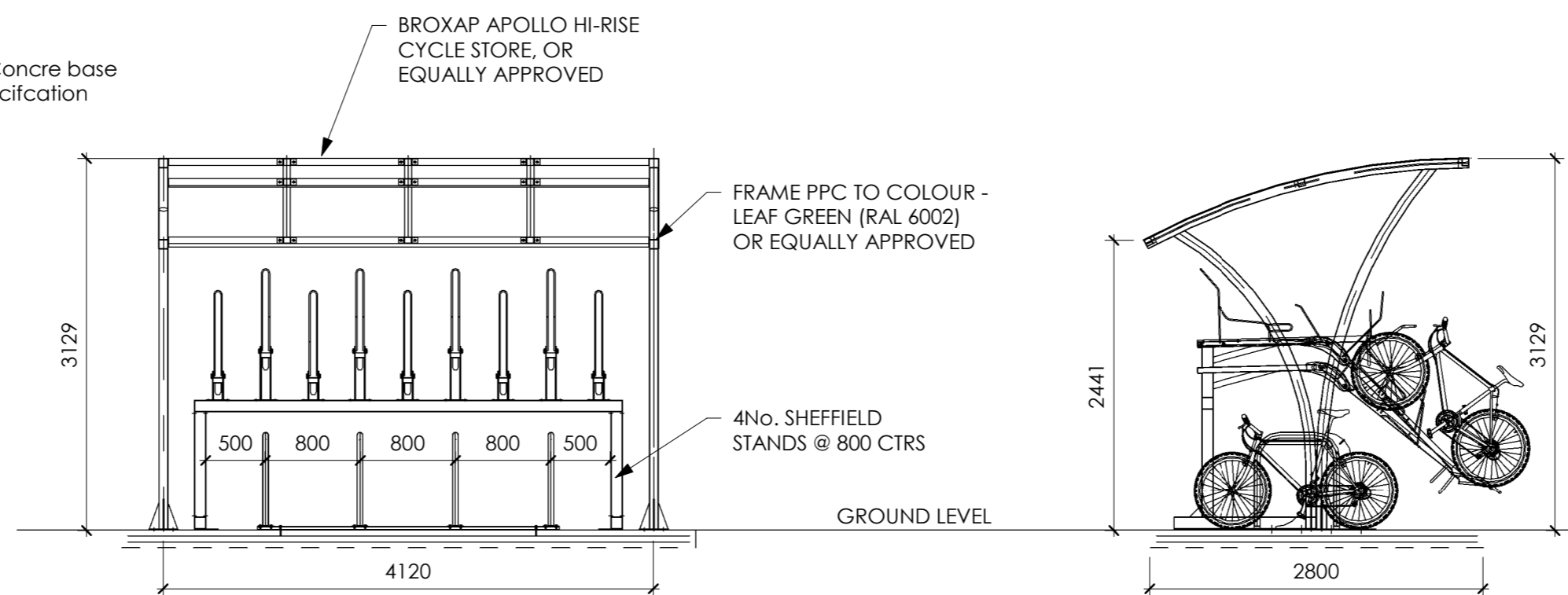
1 Location Plan - B1 Cycle
1 : 500



3 Cycle Store Axonometric



2 Apollo Hi-Rise Cycle Store Details
1 : 50



- NOTES :
1. All rights reserved. All drawings and written material appearing herein constitute original and unpublished works of ARC:MC Limited may not be duplicated, used or disclosed without written consent.
 2. All dimensions shown are in millimetres.
 3. This drawing shall be read in conjunction with all Specifications and schedules.
 4. All dimensions shall be checked by Contractor prior to any works commencing on site.
 5. The contractor shall fully comply with all relevant british standards, regulations, standard codes of practice, methods of working, and good practice.
 6. Dimensions shall not be scaled from the drawing and the contractor shall be responsible for obtaining all dimensions and levels on site for the actual setting out of the works.

Recommended Base Specification
Foundations to be installed to BS 8110

Minimum 150 deep Concrete to BS8110 Grade C28/35 with A252 reinforcement mesh. Mesh to have 75mm cover with 350 laps.
Base to be laid on 150mm compacted hardcore - MOT type 1 stone

Minimum ground bearing pressure to be 50kN/m²
Foundation position +/-25mm per bay
Foundation level +/- 10mm

SUBJECT TO ENGINEERS DETAILS

BROXAP Product Refs

2x Sheffield Stands - BXMW/GS/Sheffield-Stand
3 x Apollo Stands - BXMW/AP/Hi-RISE

| | | | | |
|------|------------|-----------------------|-----|----|
| B | 03/04/2018 | NORTH CAR PARK UPDATE | MJB | PF |
| A | 17/01/2018 | ISSUED FOR PLANNING | MB | PF |
| # | 12/01/2018 | ISSUED FOR COMMENT | PF | MB |
| REV. | DATE | ISSUE | BY | CH |

FOR PLANNING

ARC:MC

MISSION CRITICAL

140-142 St. John Street, London EC1V 4UB T 020 34112571

REGISTERED IN ENGLAND : COMPANY REG. No. 7083299

CLIENT :

PROJECT : NTT COMMUNICATIONS CORPORATION
LONDON EAST BUSINESS AND TECHNICAL PARK,
YEW TREE AVENUE, DAGENHAM,
RM10 7XS

PROJECT NO : 3109.00

DESCRIPTION : CYCLE SHELTER

SCALE : As indicated @ A2

DRAWING No : PHW-ARC-SP-ZZ-DR-A-0200 REVISION : B