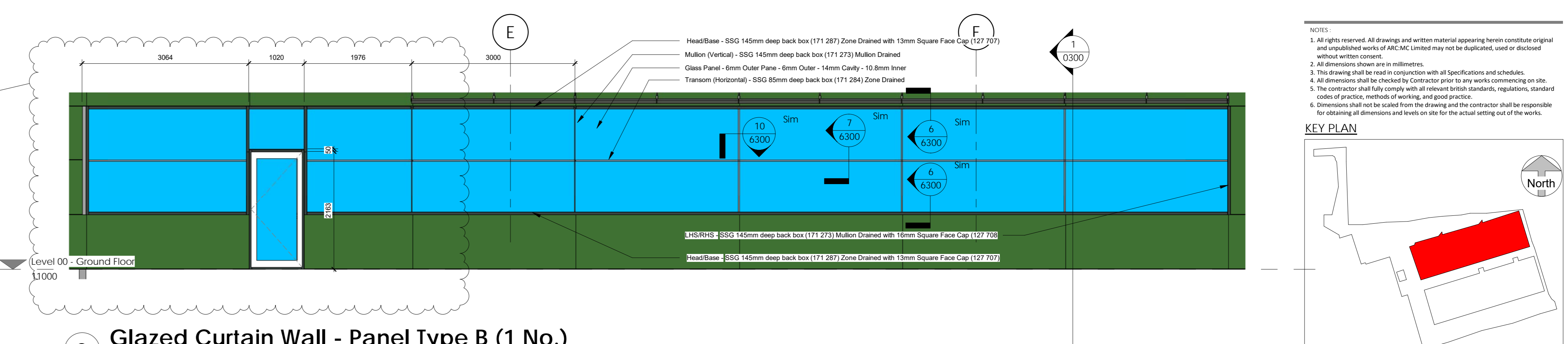
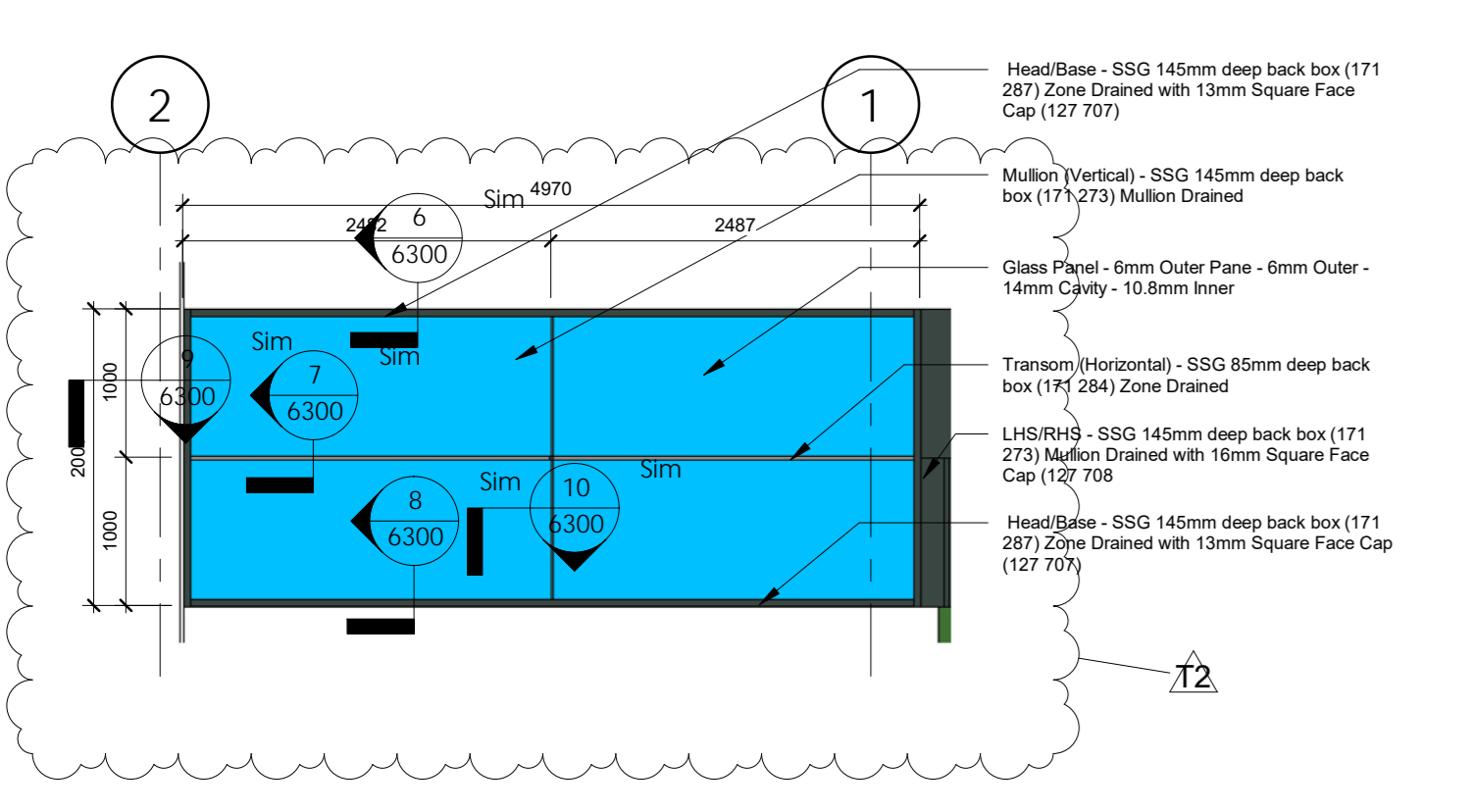


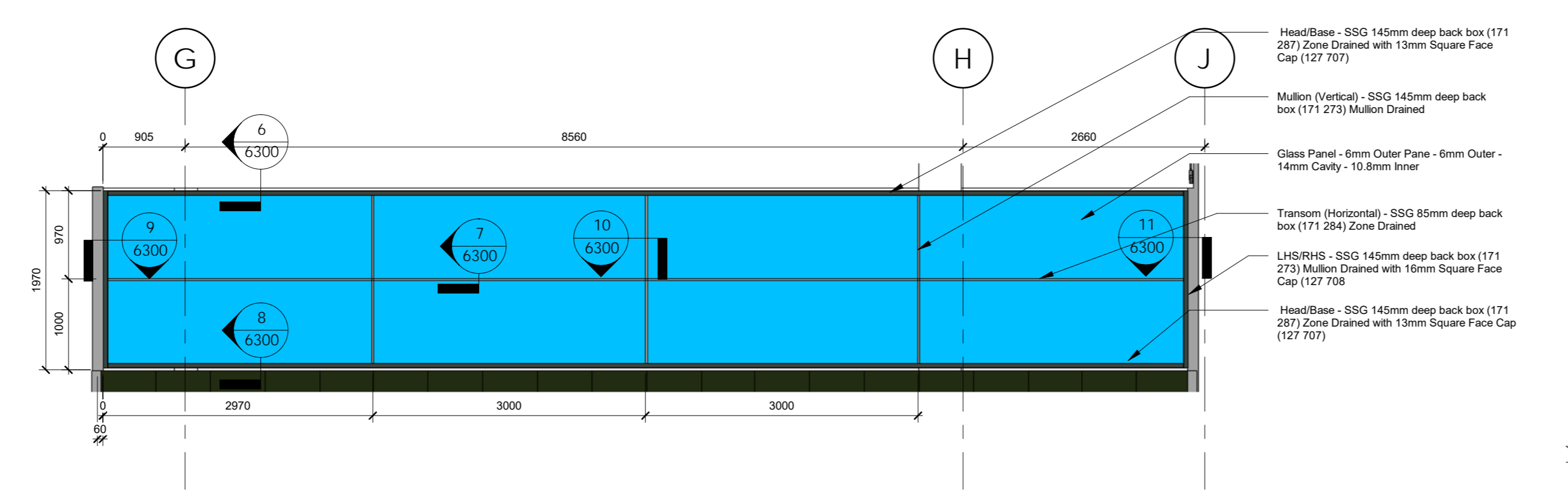
1 Glazed Curtain Wall - Panel Type A (3 No.)  
1 : 50



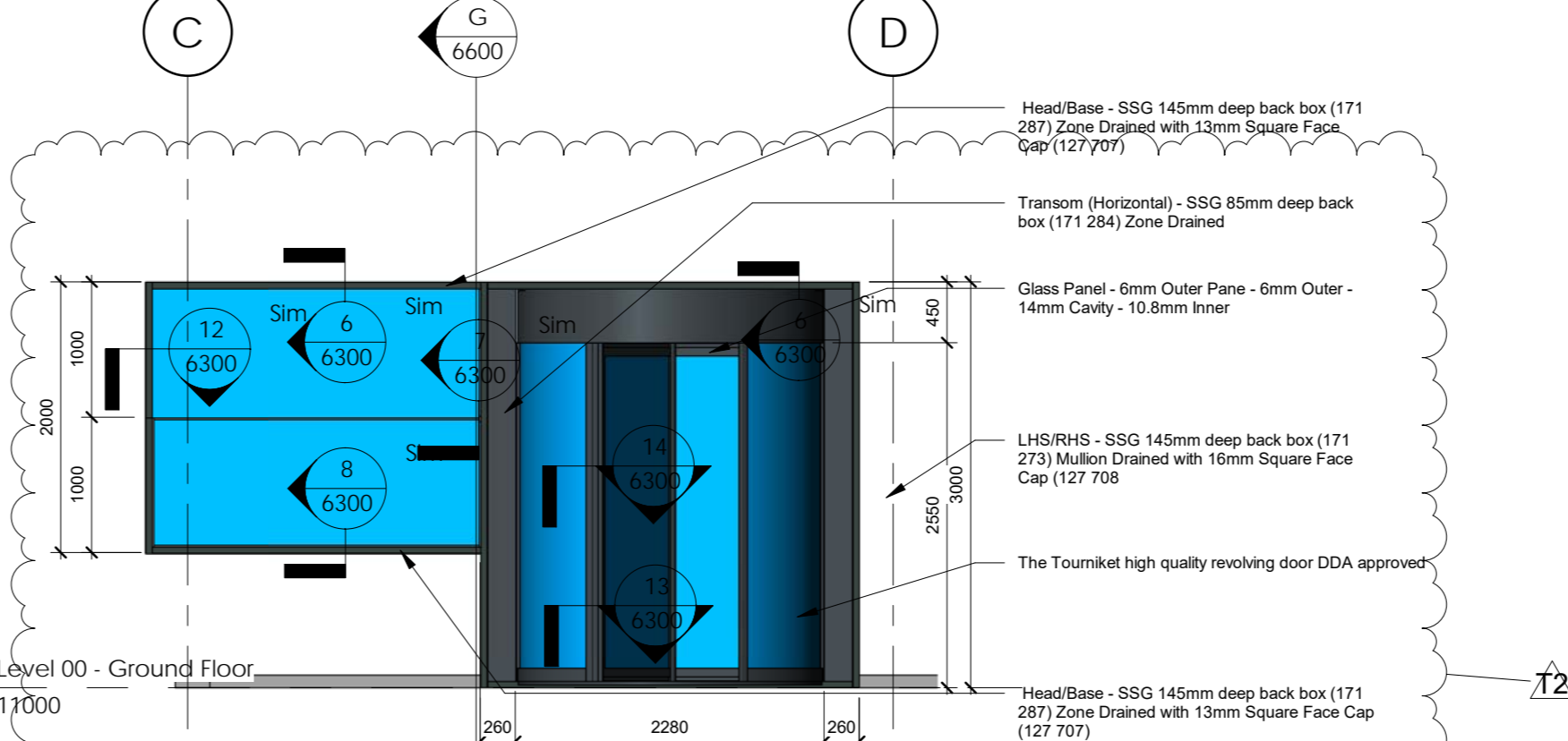
2 Glazed Curtain Wall - Panel Type B (1 No.)  
1 : 50



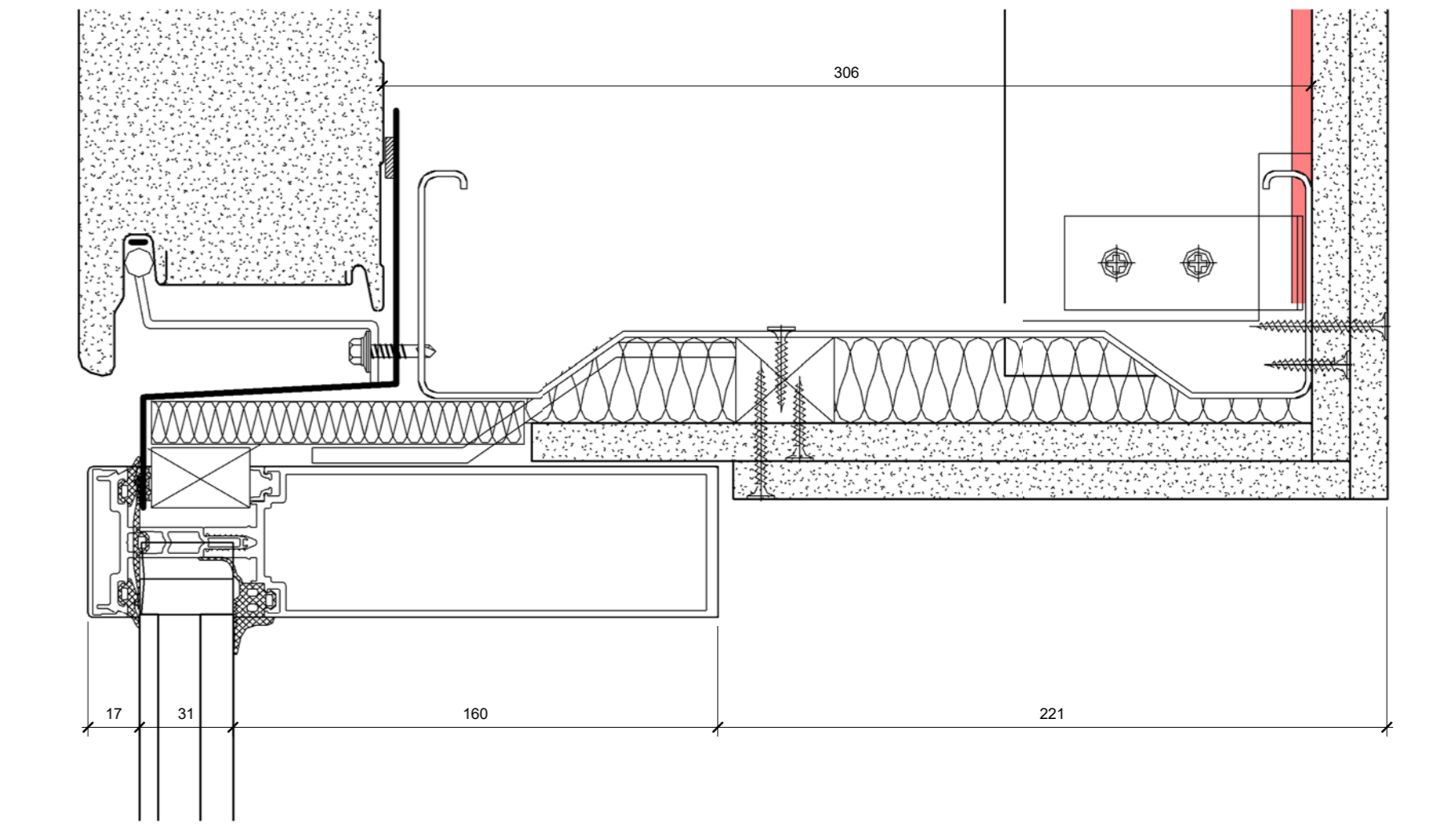
3 Glazed Curtain Wall - Panel Type C (3 No.)  
1 : 50



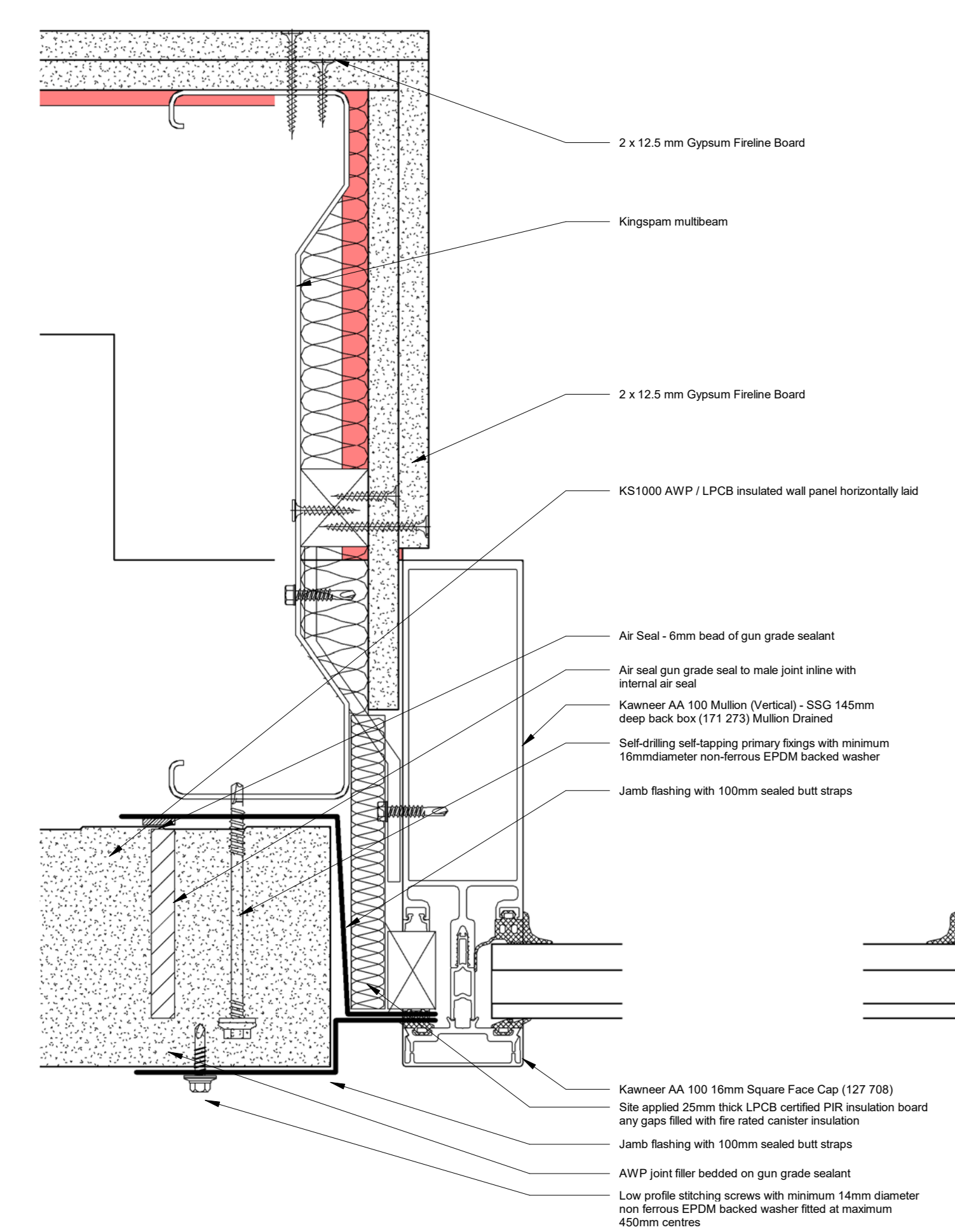
4 Glazed Curtain Wall - Panel Type D (1 No.)  
1 : 50



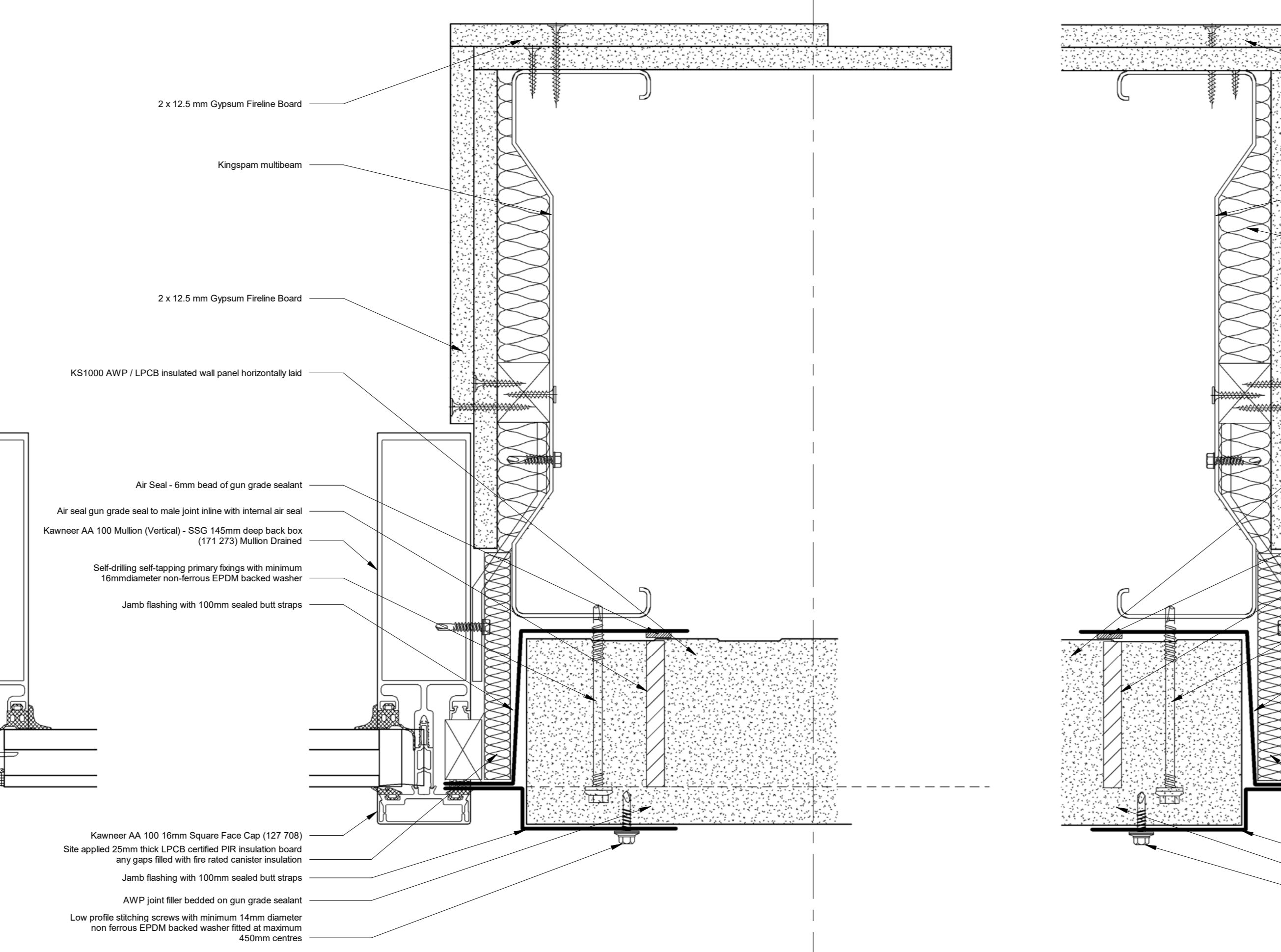
5 Glazed Curtain Wall - Panel Type E (1 No.)  
1 : 50



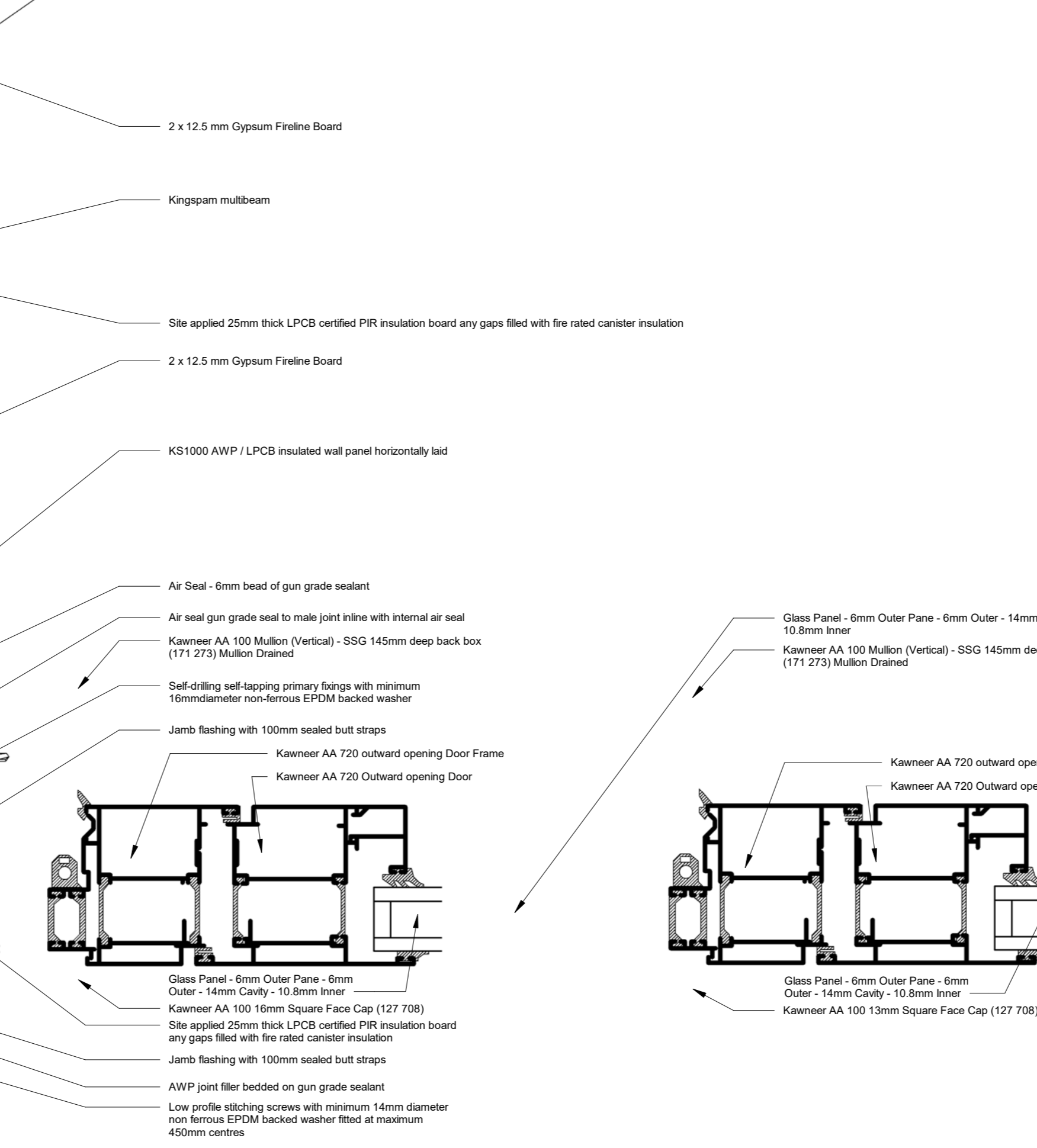
6 Detail F  
1 : 2



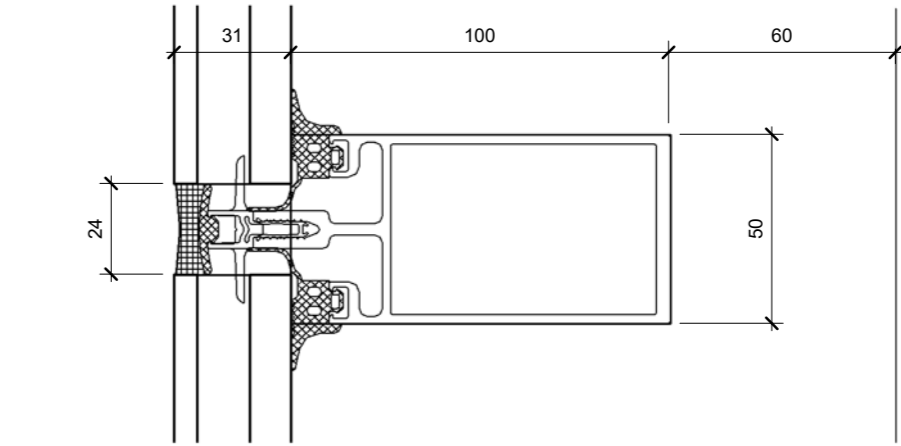
9 Detail C  
1 : 2



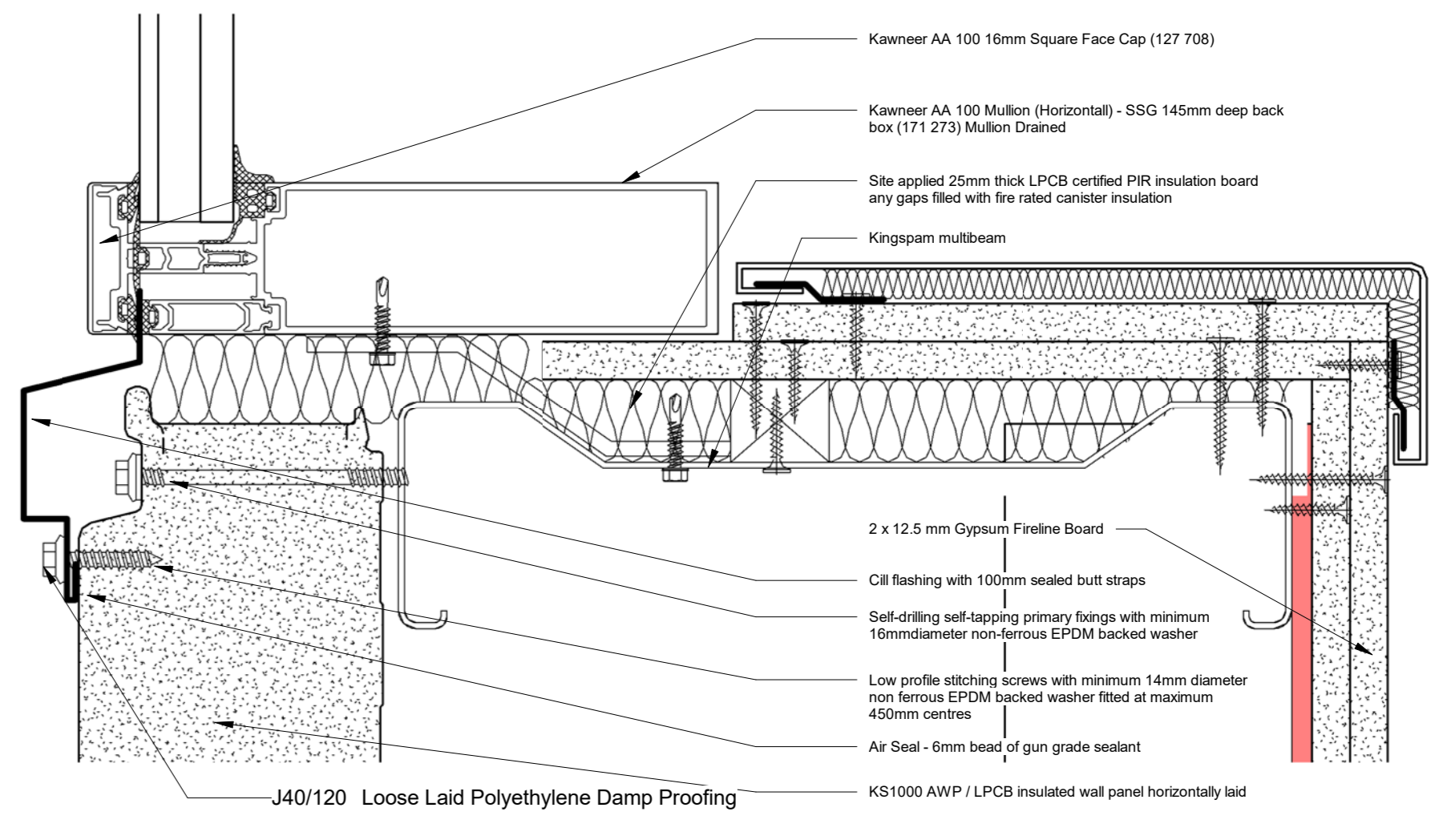
10 Detail D  
1 : 2



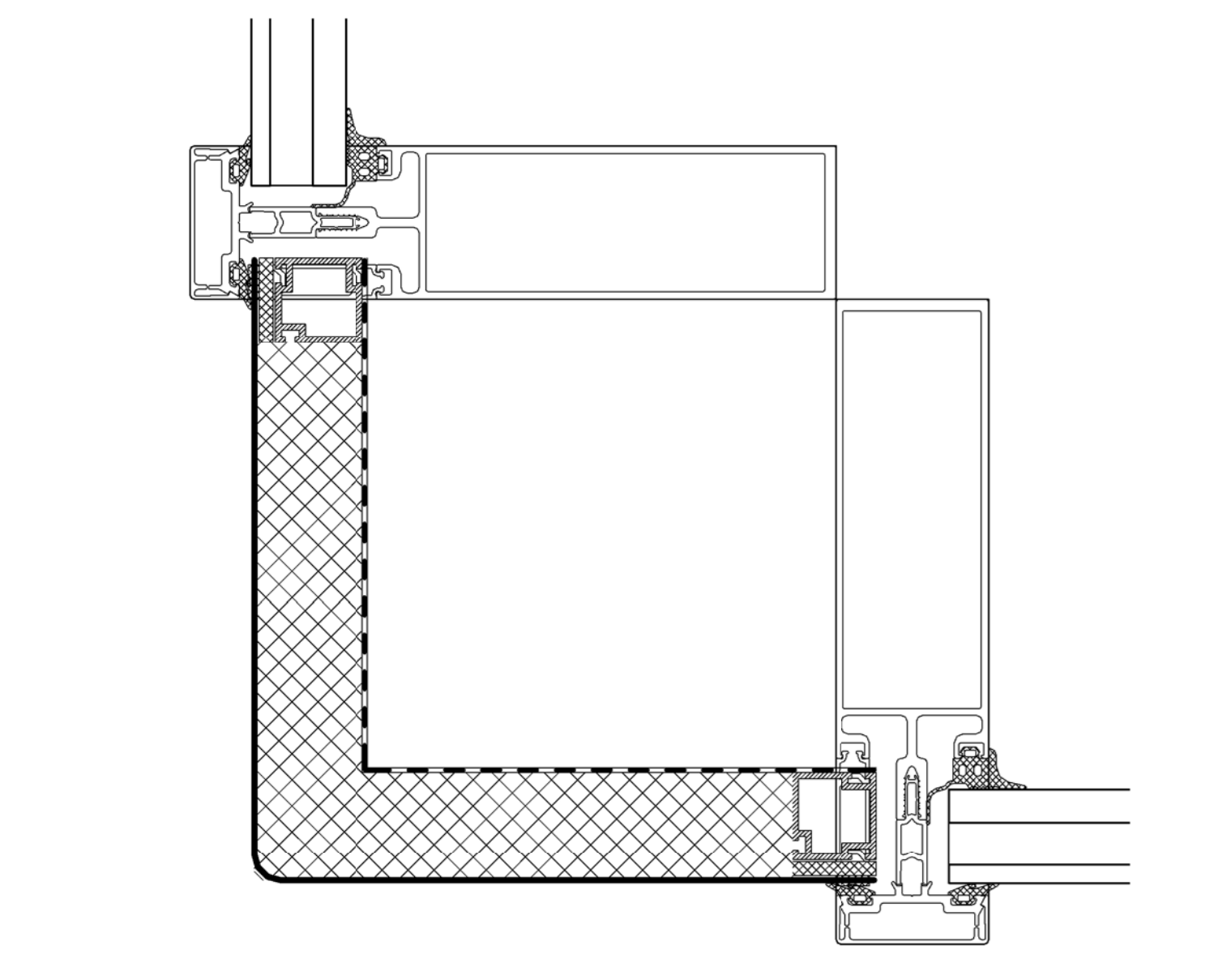
11 Detail E  
1 : 2



7 Detail G  
1 : 2

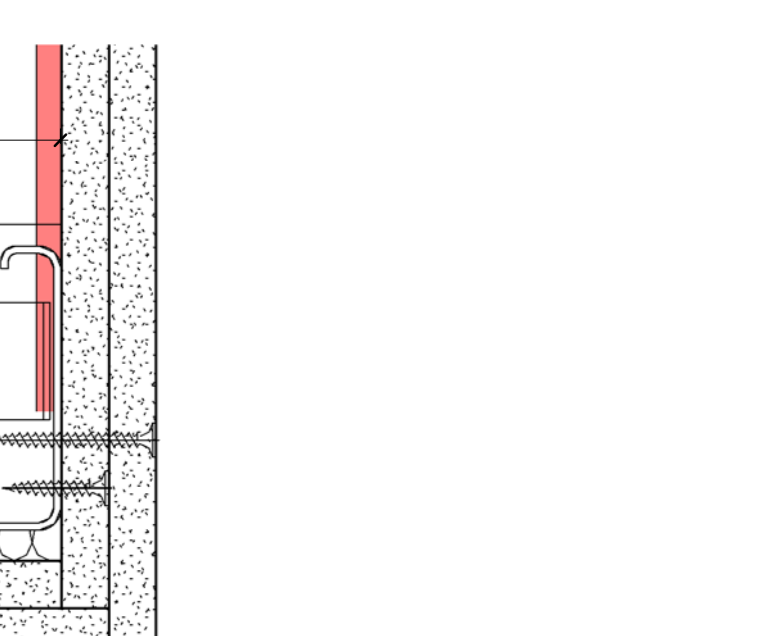


8 Detail H  
1 : 2



12 Detail J  
1 : 2

NOTES:  
1. All rights reserved. All drawings and written material appearing herein constitute original and unpublished works of ARC:MC Limited and are not to be distributed, used or disclosed without written consent.  
2. All dimensions shown are in millimetres.  
3. The drawings shall be read in conjunction with all specifications and schedules.  
4. All dimensions shall be checked by Contractor prior to any works commencing on site.  
5. The Contractor shall comply with all relevant health, safety, regulatory, standard codes of practice, methods of working, and good practice.  
6. Intentionally left blank for the Contractor to be responsible for obtaining all dimensions and levels on site for the actual setting out of the works.



ARC:MC  
MISSION CRITICAL  
140-142 St John Street, London EC4V 4UB  
T 020 34112571  
REGISTERED IN ENGLAND. COMPANY REG NO: 7832374

FOR TENDER  
ARC:MC  
MISSION CRITICAL  
140-142 St John Street, London EC4V 4UB  
T 020 34112571  
REGISTERED IN ENGLAND. COMPANY REG NO: 7832374

PROJECT: NTC COMMUNICATIONS DATA CENTRE  
LONDON EAST BUSINESS AND TECHNICAL PARK  
WYETREE AVENUE, DAGENHAM  
S86 2JG  
PROJECT NO: 3109.00  
DESCRIPTION: Building 1 - Glazed Curtain Walling  
SCALE: As Indicated @ A0  
DRAWING NO: PHW-ARC-B1-ZZ-DR-A-6300  
REVISION: T2