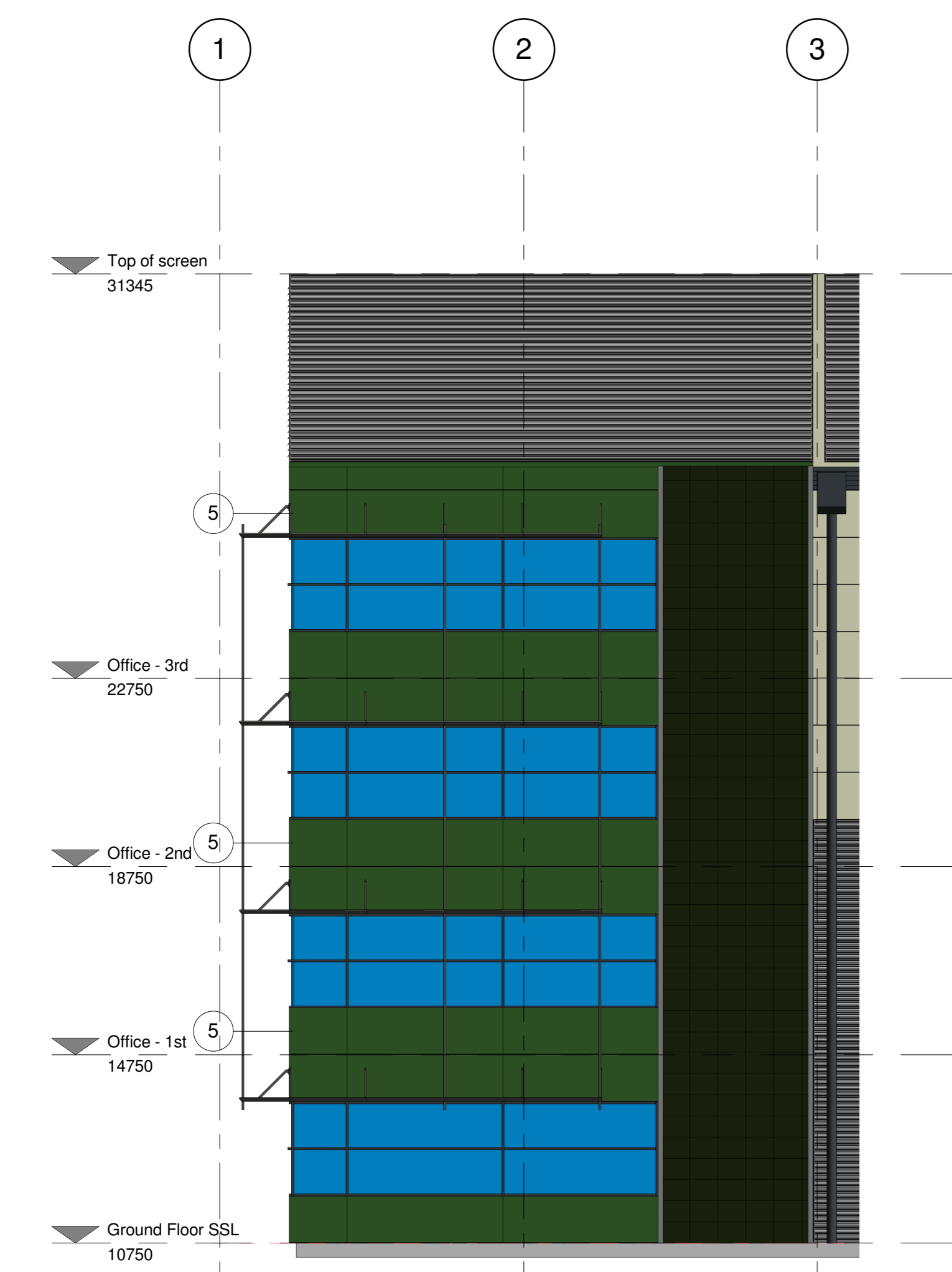
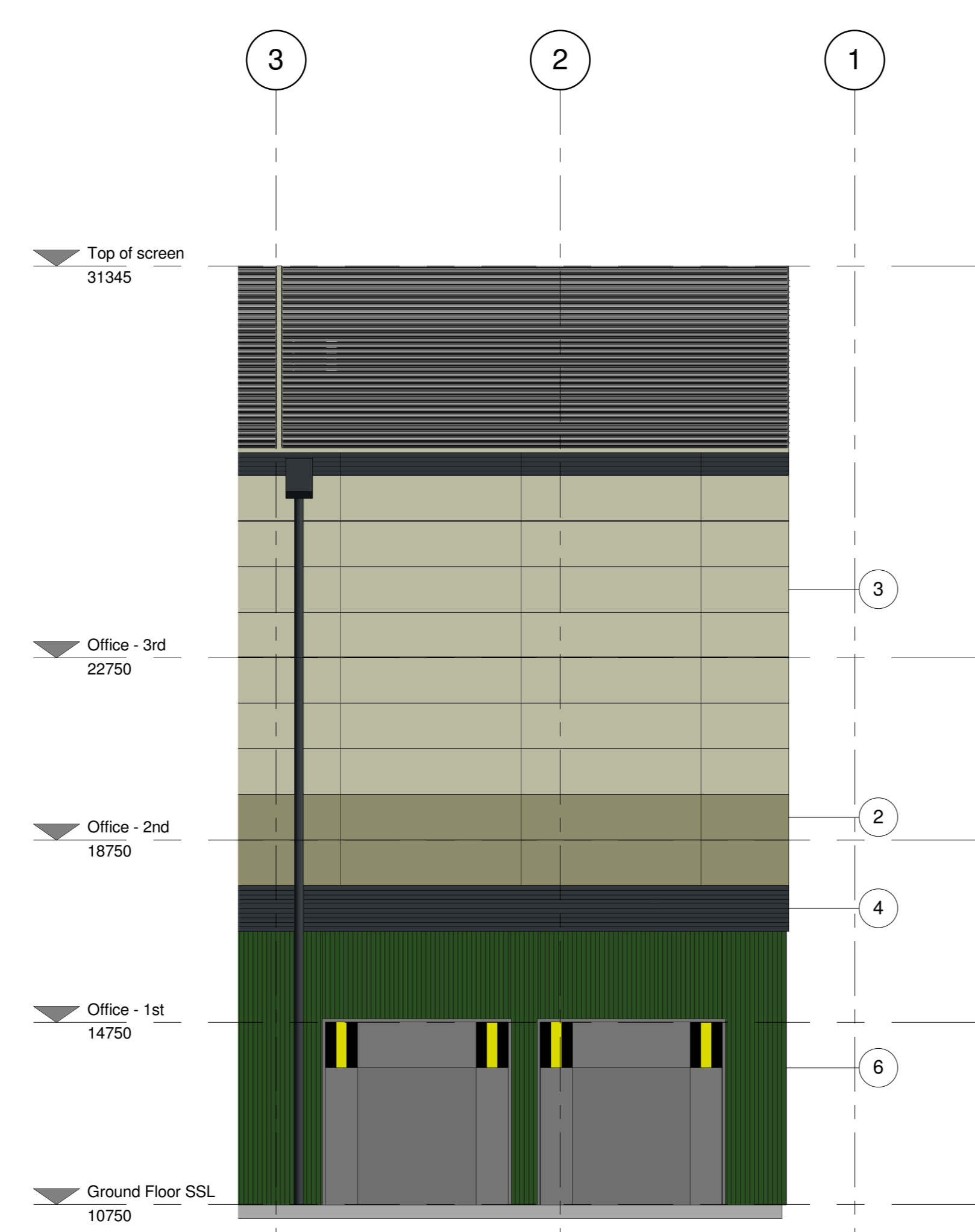


1 Elevation 2 - a
1 : 100

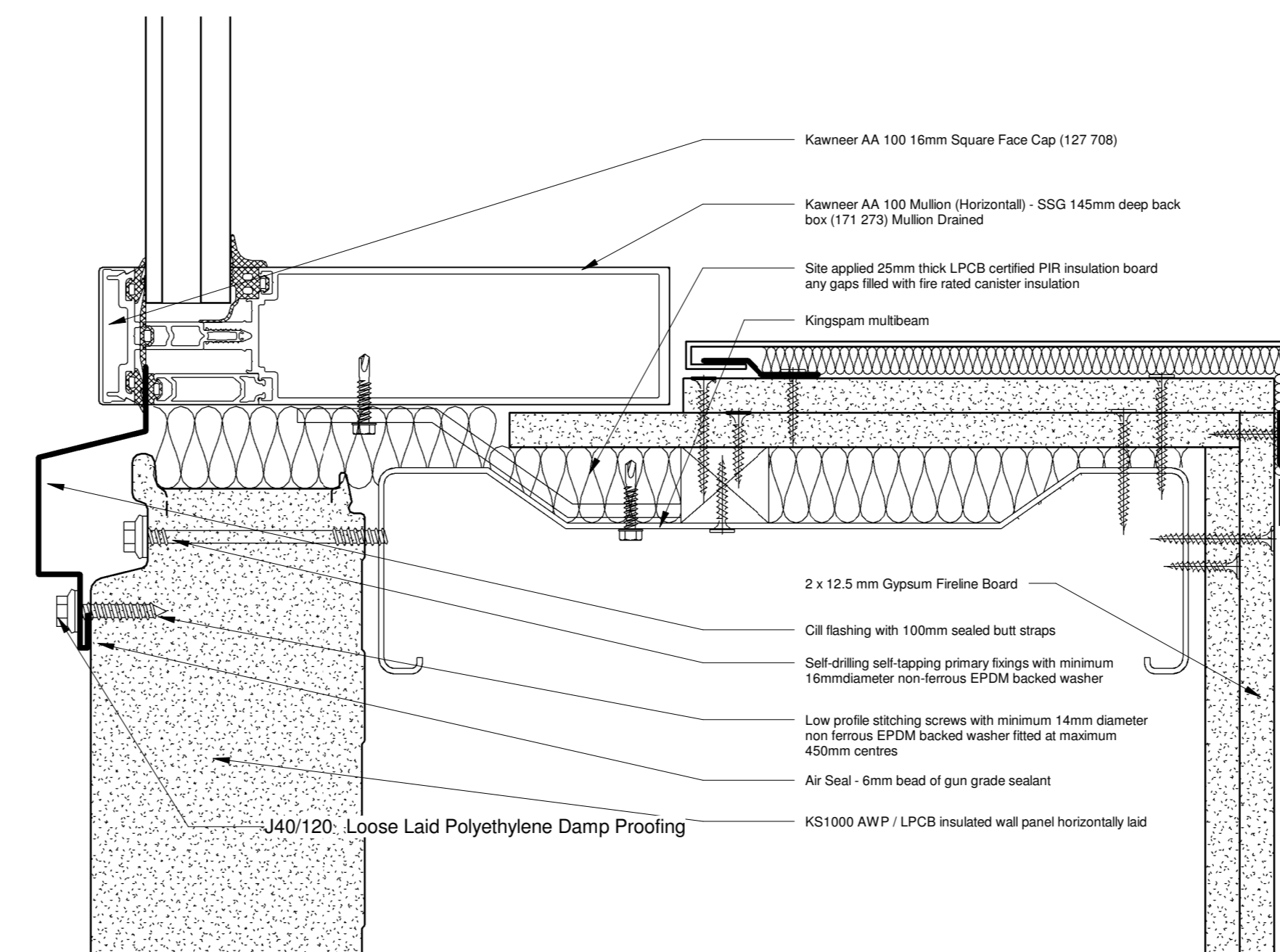
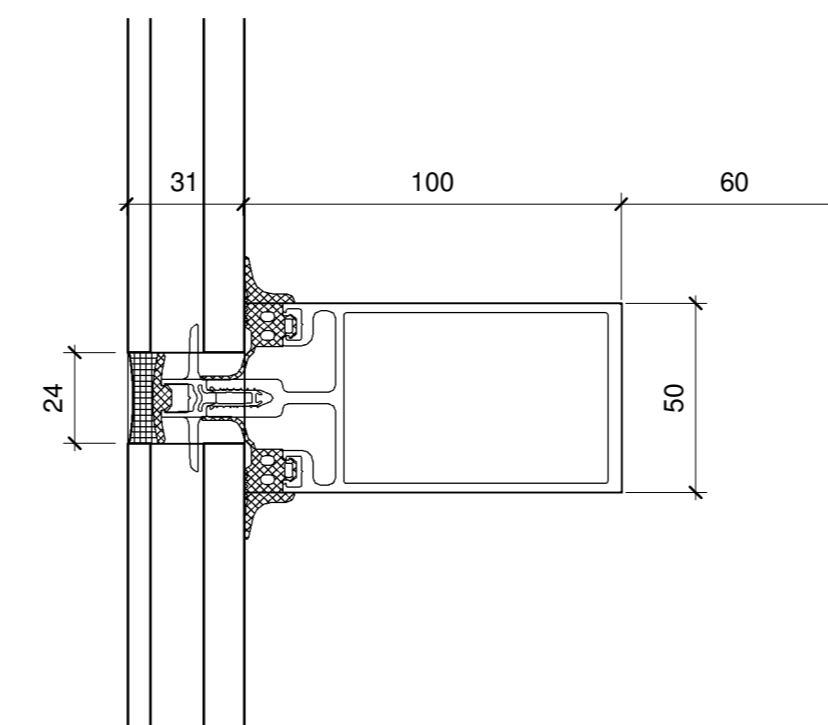
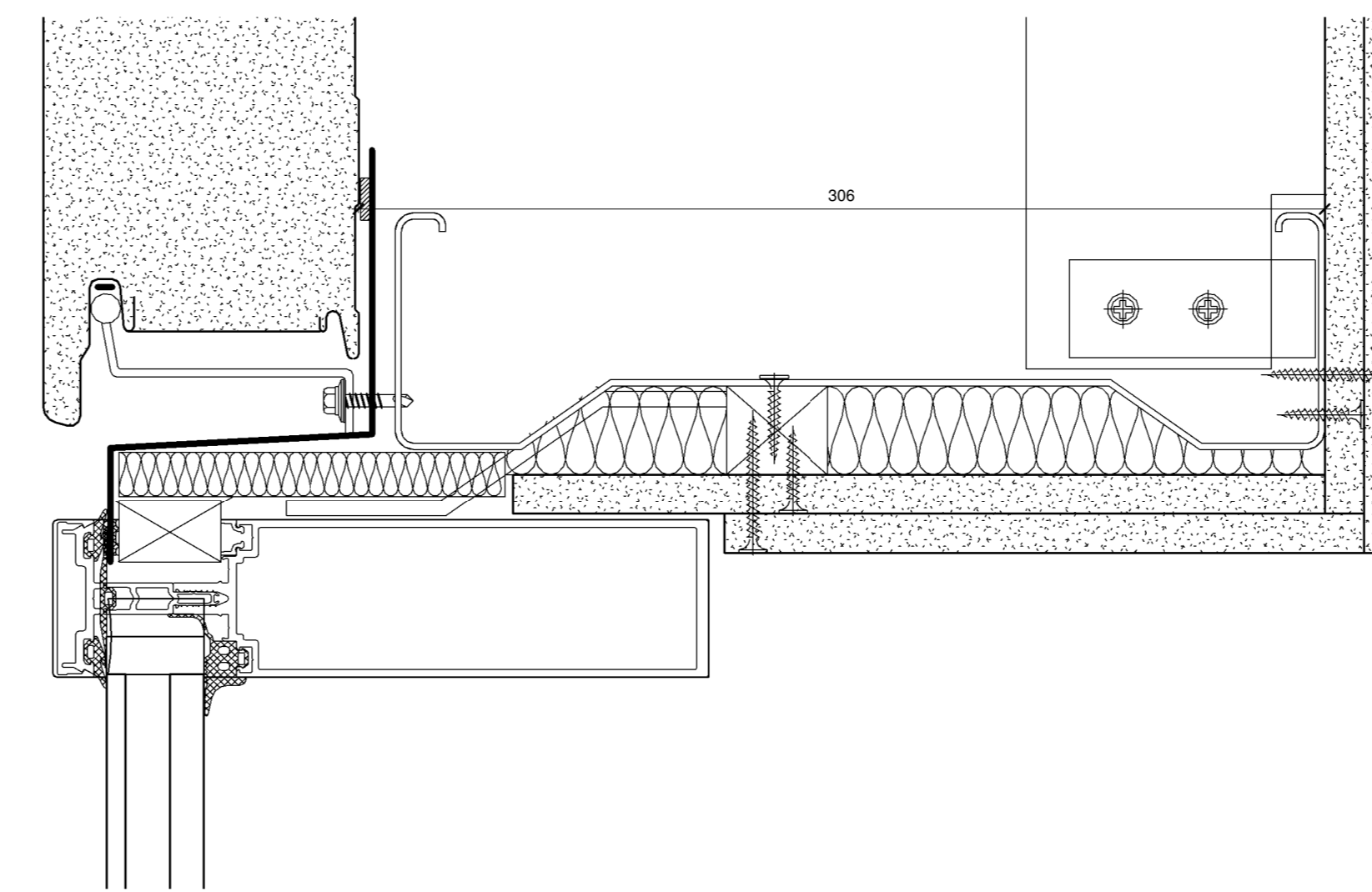


2 Elevation 1 - a
1 : 100



6 Elevation 3 - a
1 : 100

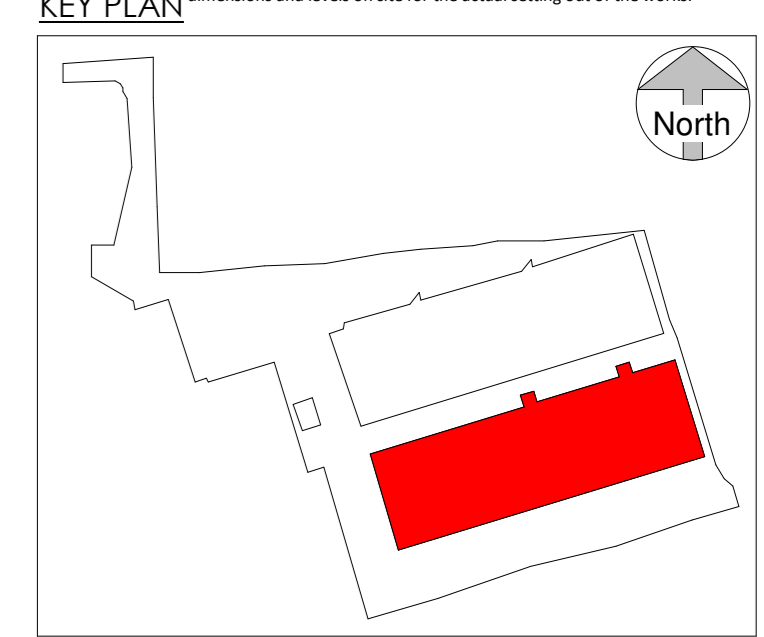
3 Curtain Wall Glazing
1 : 2



Legend - External Wall Cladding Panels.

Ref.	Color	Panel Type	Manufacturer
1	XL FORTE SLATE GREEN: RAL 100 30 20	Kingpan KS1000AWP Architectural Wall System	H43/1215
2	XL FORTE SHAM GREEN: RAL 100 60 20	Kingpan KS1000AWP Architectural Wall System	H43/1215
3	XL FORTE WILLOW GREEN: RAL 100 80 20	Kingpan KS1000AWP Architectural Wall System	H43/1215
4	XL FORTE ANTHRACITE: RAL 6002	Kingpan KS1000AWP Architectural Wall System	H43/1215
5	XL FORTE LEAF GREEN: RAL 6002	Kingpan KS1000AWP Architectural Wall System	H43/1215
6	XL FORTE LEAF GREEN: RAL 6002	Kingpan KS1000RW Tripartite Roof & Wall System	H43/1215

NOTES:
 1. All rights reserved. All drawings and written material appearing herein constitute original and confidential works of ARCMC Limited and are not to be disclosed, used or derived without written consent.
 2. All dimensions shown are in millimetres.
 3. This drawing shall be read in conjunction with all specifications and schedules.
 4. All dimensions shall be checked by Contractor prior to any works commencing on site.
 5. The Contractor shall comply with all relevant British standards, regulations, statutory codes of practice, methods of working, and good practice.
 6. Dimensions shall not be taken from the drawing and the contractor shall be responsible for dimensions and levels on site for the actual setting out of the works.



NOTES:
 ALL FRAMING AND CAPPINGS TO BE FINISHED IN ANTHRACITE: RAL 7016
 BRISE SOLEIL TO BE FINISHED IN ANTHRACITE: RAL 7016

FOR PLANNING
ARCMC
 MISSION CRITICAL
 140-142 St John Street, London EC1V 1DD
 REGISTERED IN ENGLAND COMPANY REG. NO. 7093274

PROJECT: NTC COMMUNICATIONS DATA CENTRE
 LONDON EAST BUSINESS AND TECHNICAL PARK,
 VENTURE AVENUE, DAGENHAM
 SMI5 2JG
 PROJECT NO: 3109.00
 DESCRIPTION: BUILDING 2 - OFFICE ELEVATIONS
 SCALE: As Indicated @ A0
 DRAWING NO: PHW-ARC-B2-ZZ-DR-A-0630 A
 REVISION: