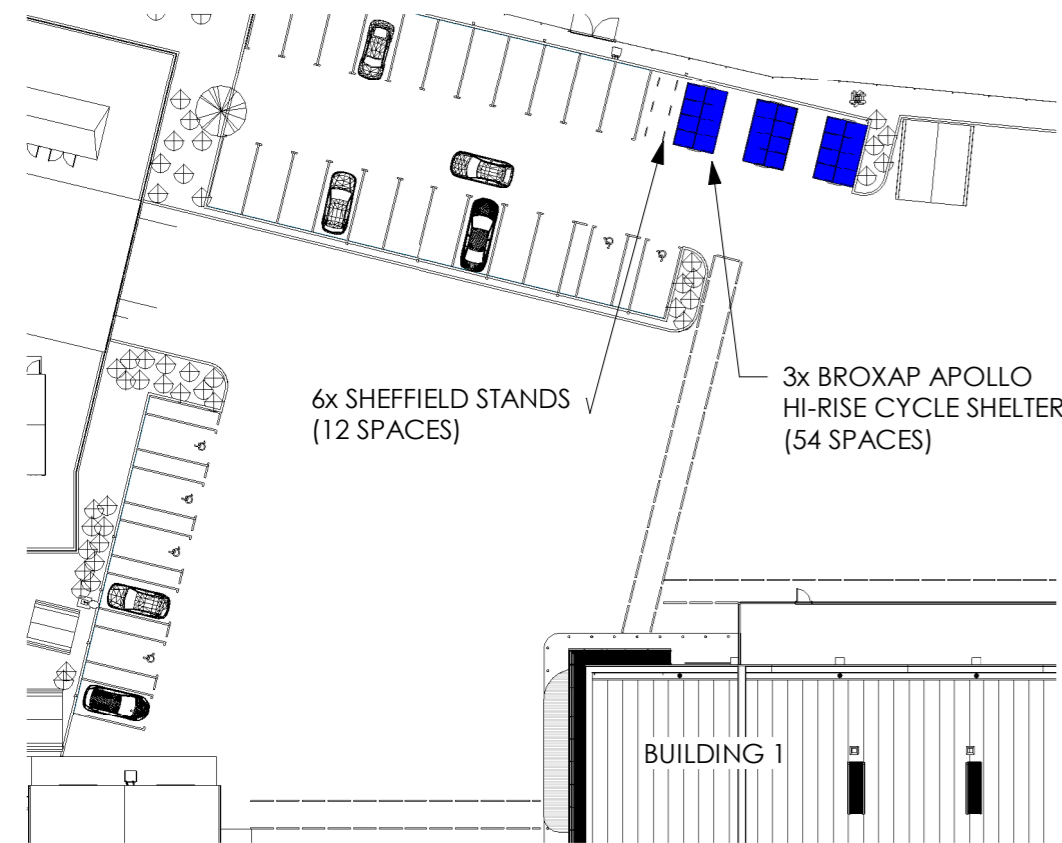
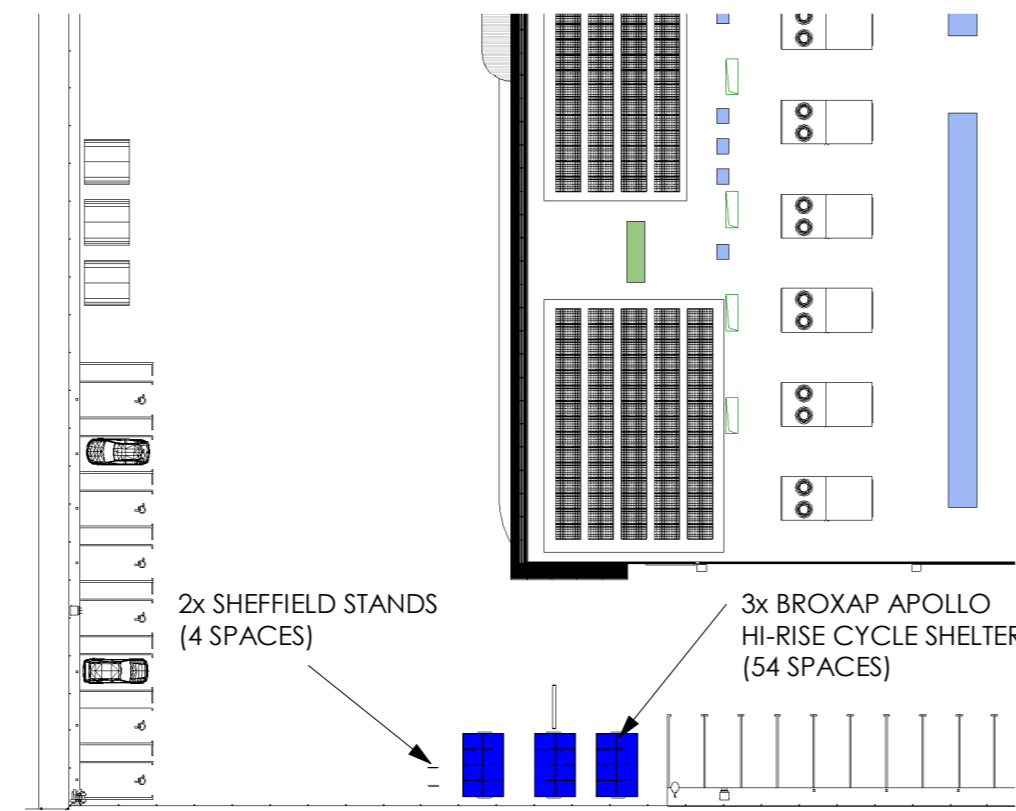




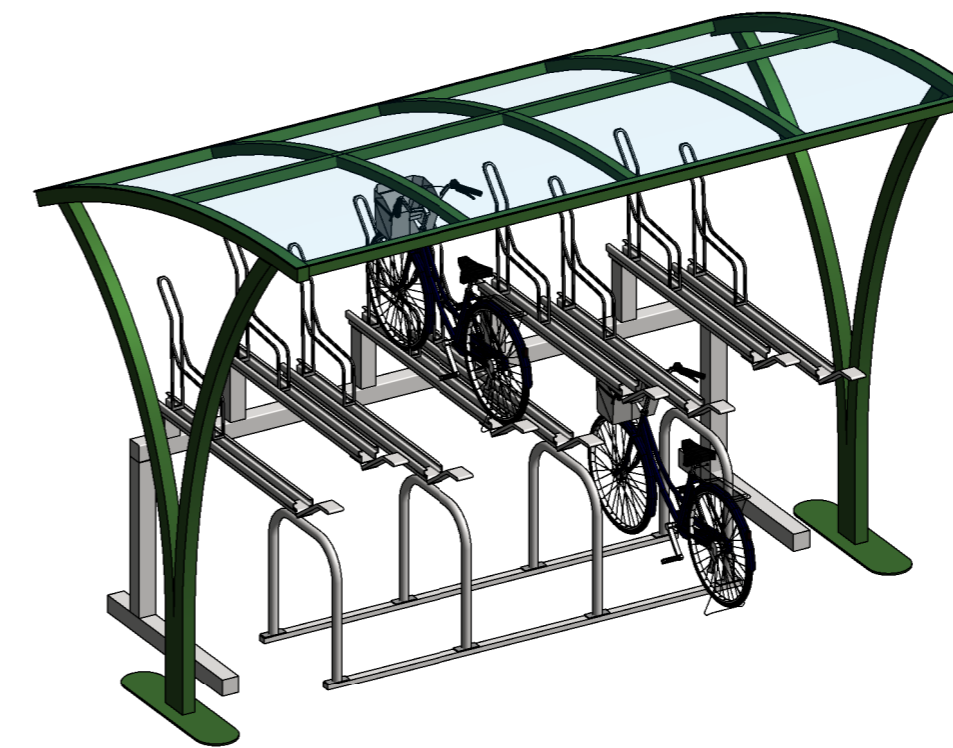
- NOTES :
1. All rights reserved. All drawings and written material appearing herein constitute original and unpublished works of ARC:MC Limited may not be duplicated, used or disclosed without written consent.
 2. All dimensions shown are in millimetres.
 3. This drawing shall be read in conjunction with all Specifications and schedules.
 4. All dimensions shall be checked by Contractor prior to any works commencing on site.
 5. The contractor shall fully comply with all relevant british standards, regulations, standard codes of practice, methods of working, and good practice.
 6. Dimensions shall not be scaled from the drawing and the contractor shall be responsible for obtaining all dimensions and levels on site for the actual setting out of the works.



1 Location Plan - B1 Cycle
1 : 500



3 Location Plan - B2 Cycle
1 : 500



4 Cycle Store Axonometric

Recommended Base Specification
Foundations to be installed to BS 8110

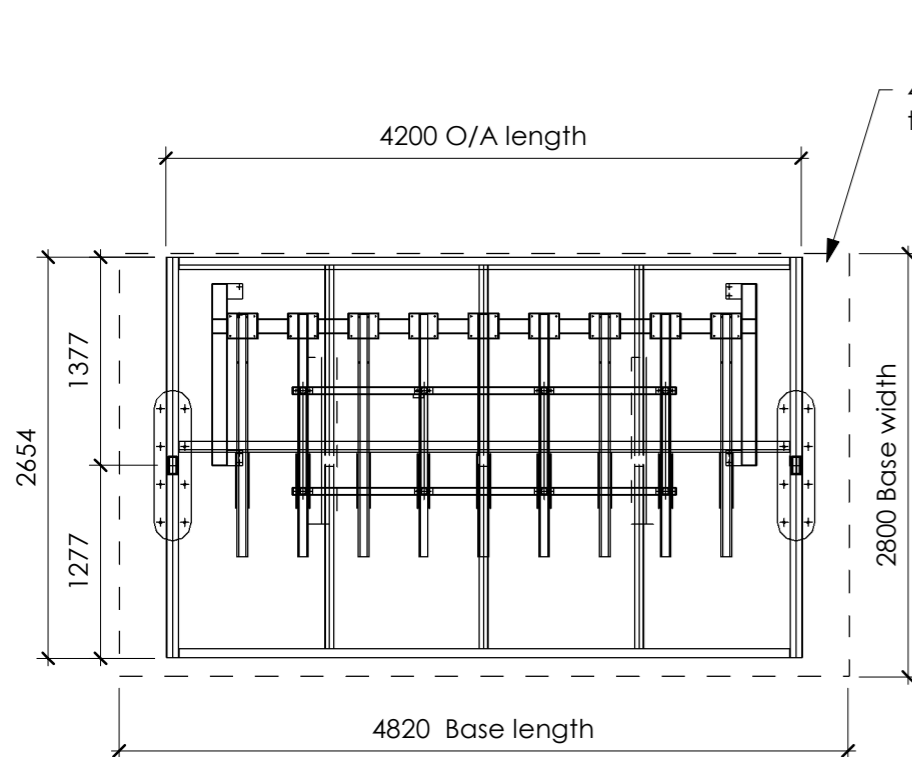
Minimum 150 deep Concrete to BS1110 Grade C28/35 with A252 reinforcement mesh. Mesh to have 75mm cover with 350 laps.
Base to be laid on 150mm compacted hardcore - MOT type 1 stone

Minimum ground bearing pressure to be 50kN/m²
Foundation position +/-25mm per bay
Foundation level +/- 10mm

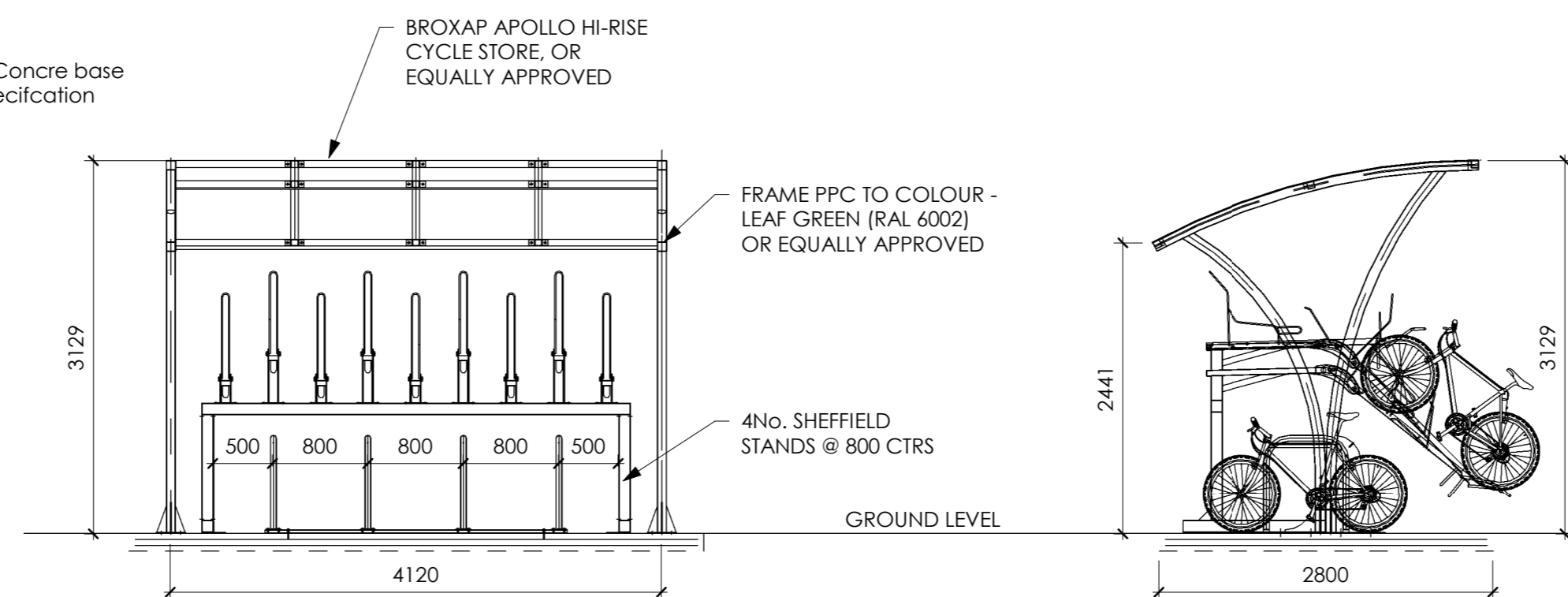
SUBJECT TO ENGINEERS DETAILS

BROXAP Product Refs

8x Sheffield Stands - BXMW/GS/Sheffield-Stand
6x Apollo Stands - BXMW/AP/Hi-RISE



2 Apollo Hi-Rise Cycle Store Details
1 : 50



REV.	DATE	ISSUED FOR COMMENT	ISSUE	BY	CHK
C	15/02/2019	ISSUED FOR PLANNING		MJB	MB
B	03/04/2018	NORTH CAR PARK UPDATE		MJB	PF
A	17/01/2018	ISSUED FOR PLANNING		MB	PF
#	12/01/2018	ISSUED FOR COMMENT		PF	MB

FOR PLANNING

ARC MC

MISSION CRITICAL
140-142 St. John Street, London EC1V 4UB
T 020 34112571
REGISTERED IN ENGLAND: COMPANY REG. No. 7083299

CLIENT:

gyron

PROJECT: NTT COMMUNICATIONS CORPORATION
LONDON EAST BUSINESS AND TECHNICAL PARK,
YEW TREE AVENUE, DAGENHAM,
RM10 7XS
PROJECT NO: 3109.00
DESCRIPTION: CYCLE SHELTER

SCALE: As indicated @ A2

DRAWING No: REVISION:

PHW-ARC-SP-ZZ-DR-A-0200 C